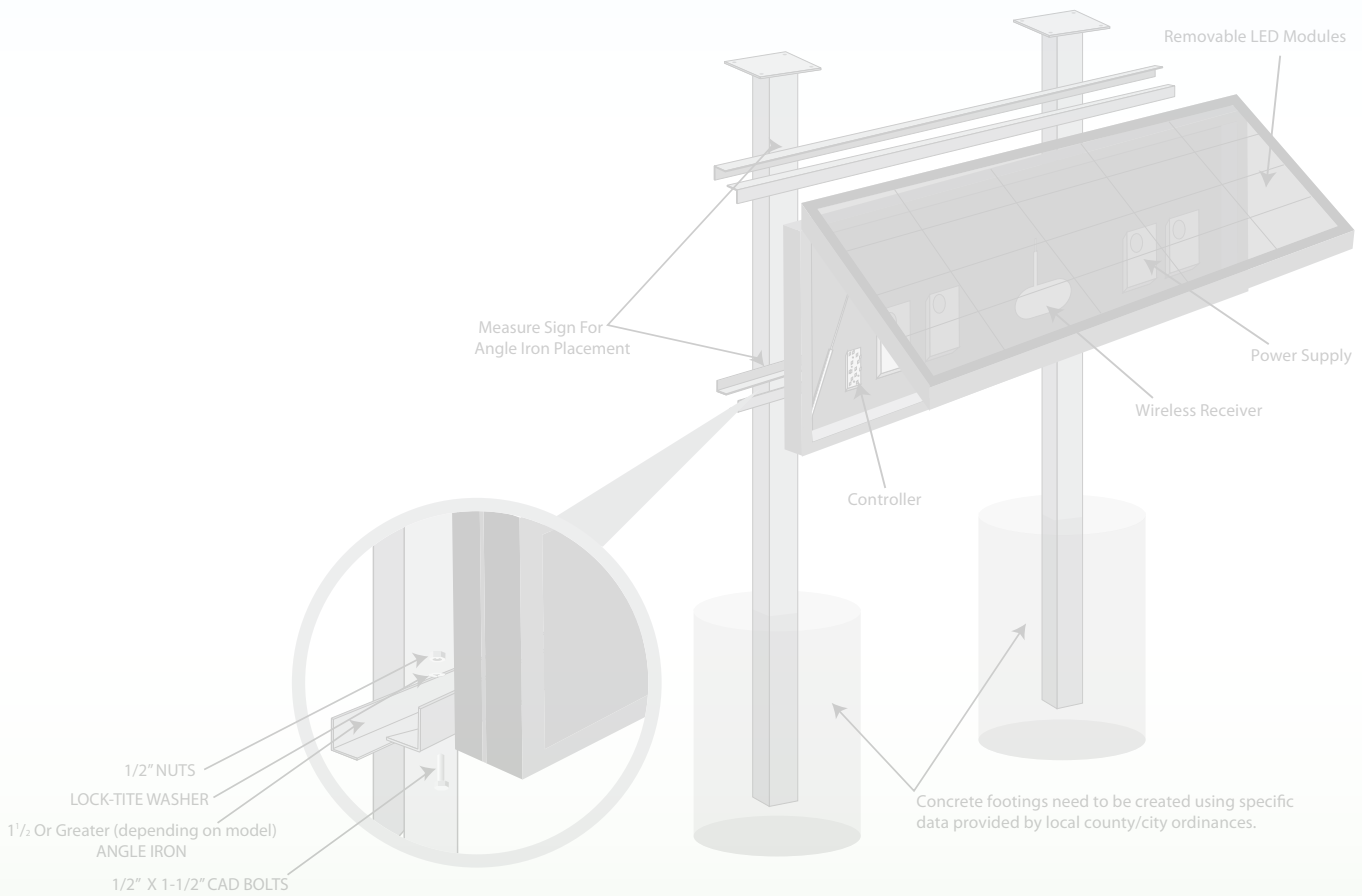




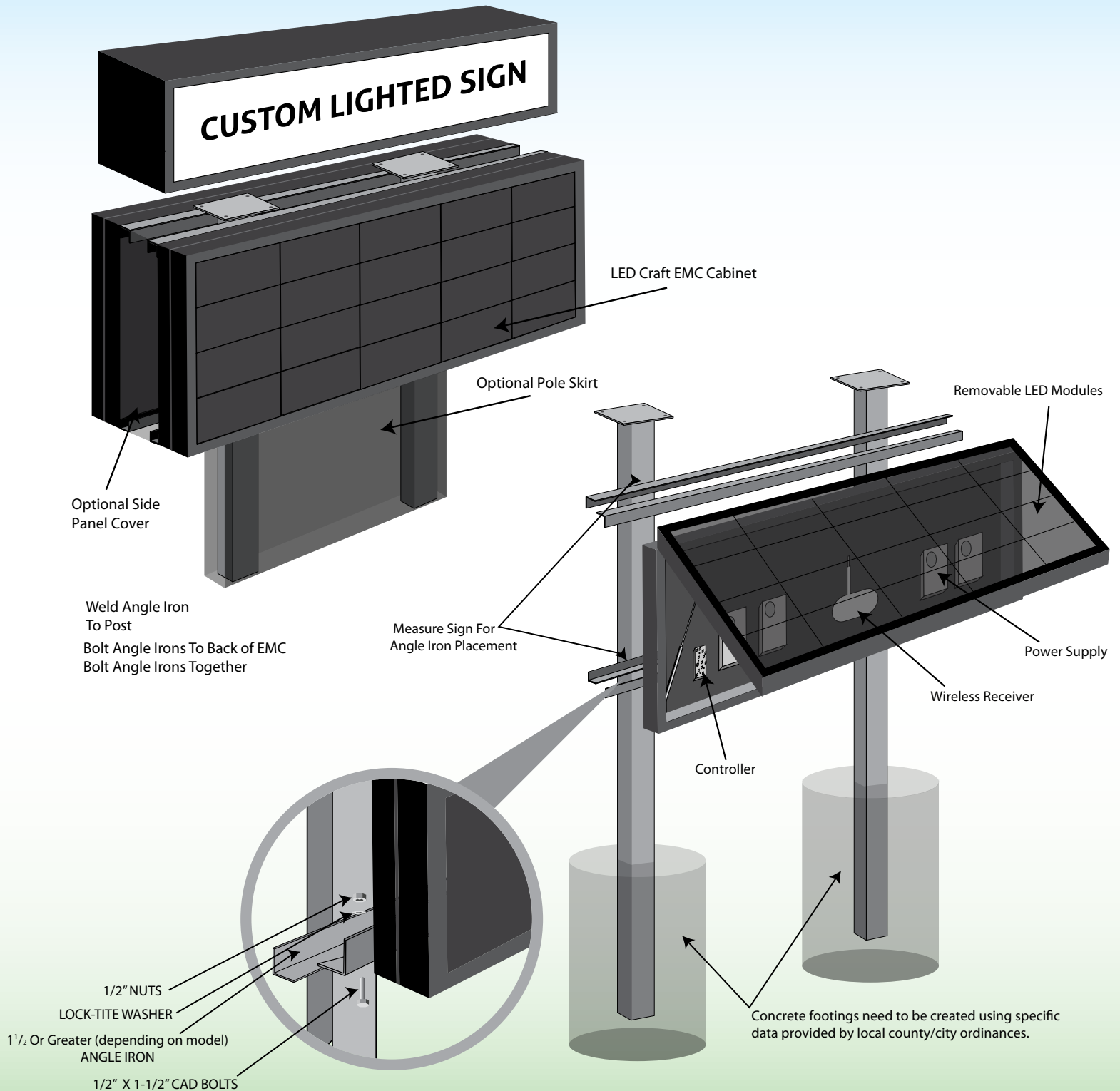
ledcraftinc.com

Electronic Message Center Installation Manual



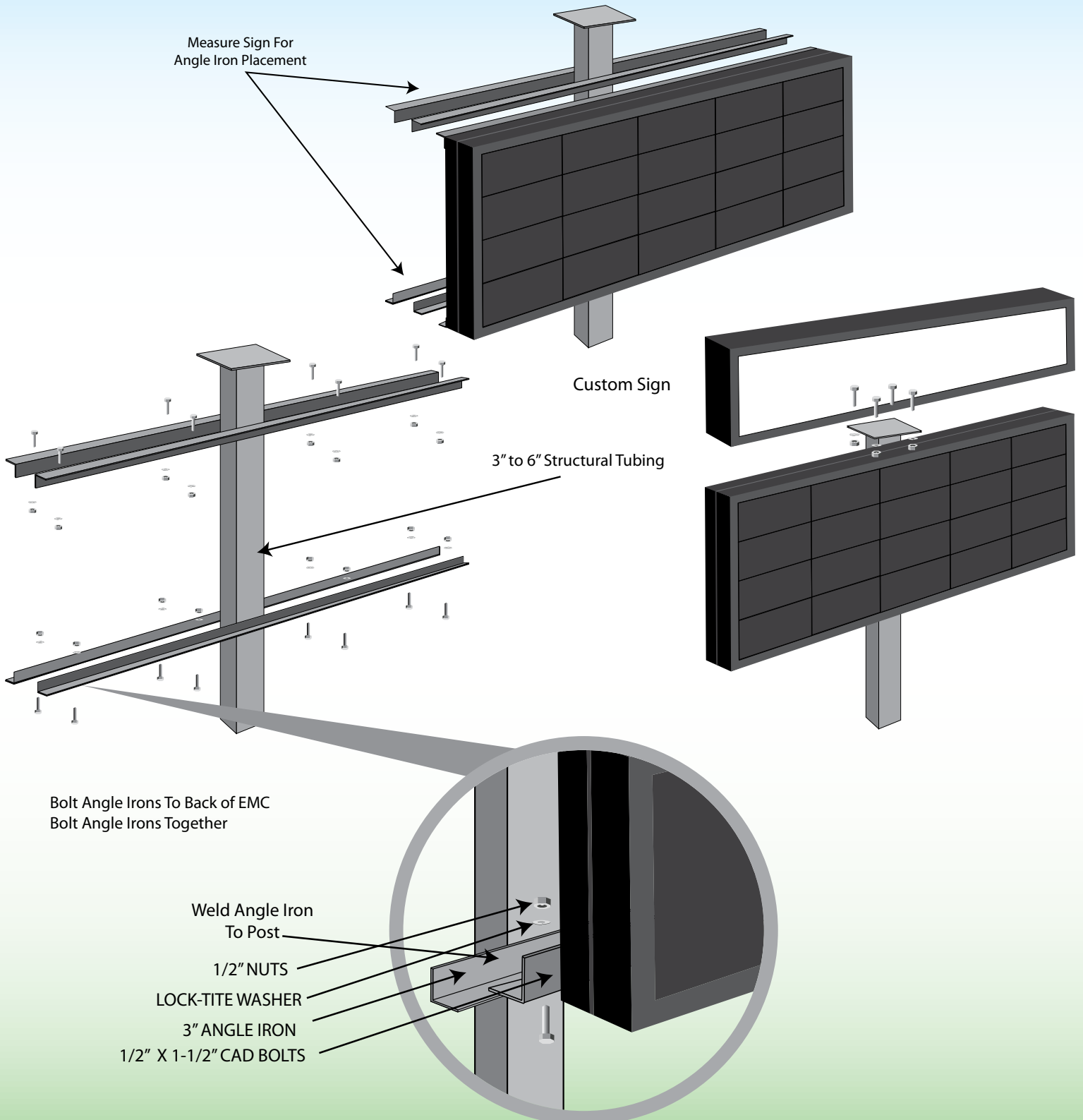
ETL LISTED
CONFORMS TO
UL STD 48
UL STD 1433

2 Pole Mount Installation



Warning: Do not weld onto or drill any additional holes into the LED Craft Electronic Message Center. Do not house the Electronic Message Center inside any other enclosure. these actions, including but not limited to, VOID all warranties. It is very important that you check with your local building and planning department for codes and laws regarding the installation of signage.

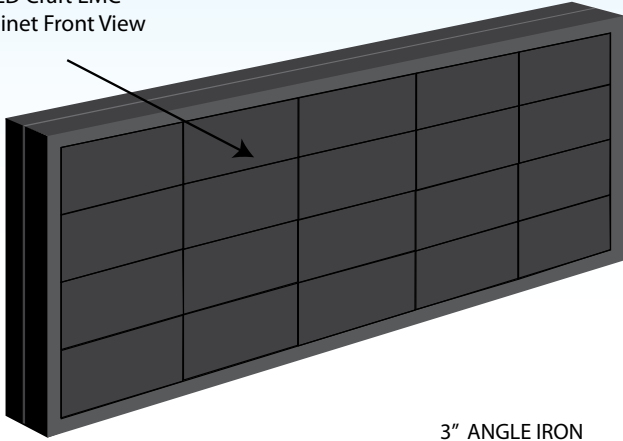
Single Pole Mount Installation



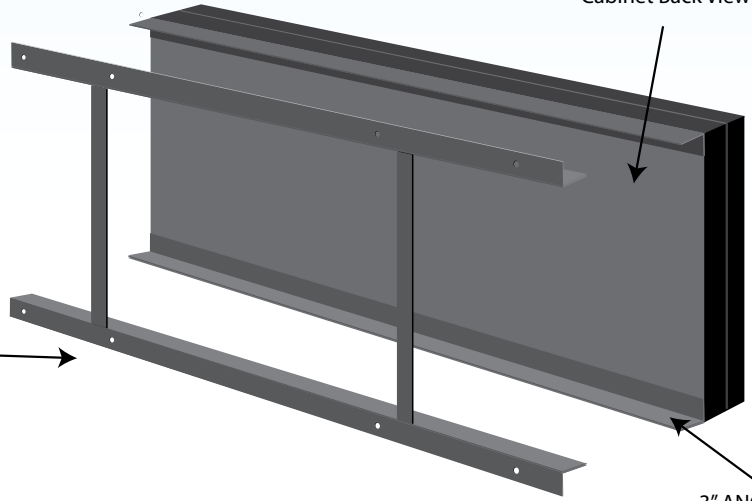
Warning: Do not weld onto or drill any additional holes into the LED Craft Electronic Message Center. Do not house the Electronic Message Center inside any other enclosure. these actions, including but not limited to, VOID all warranties. It is very important that you check with your local building and planning department for codes and laws regarding the installation of signage.

Wall Mount Installation

LED Craft EMC Cabinet Front View

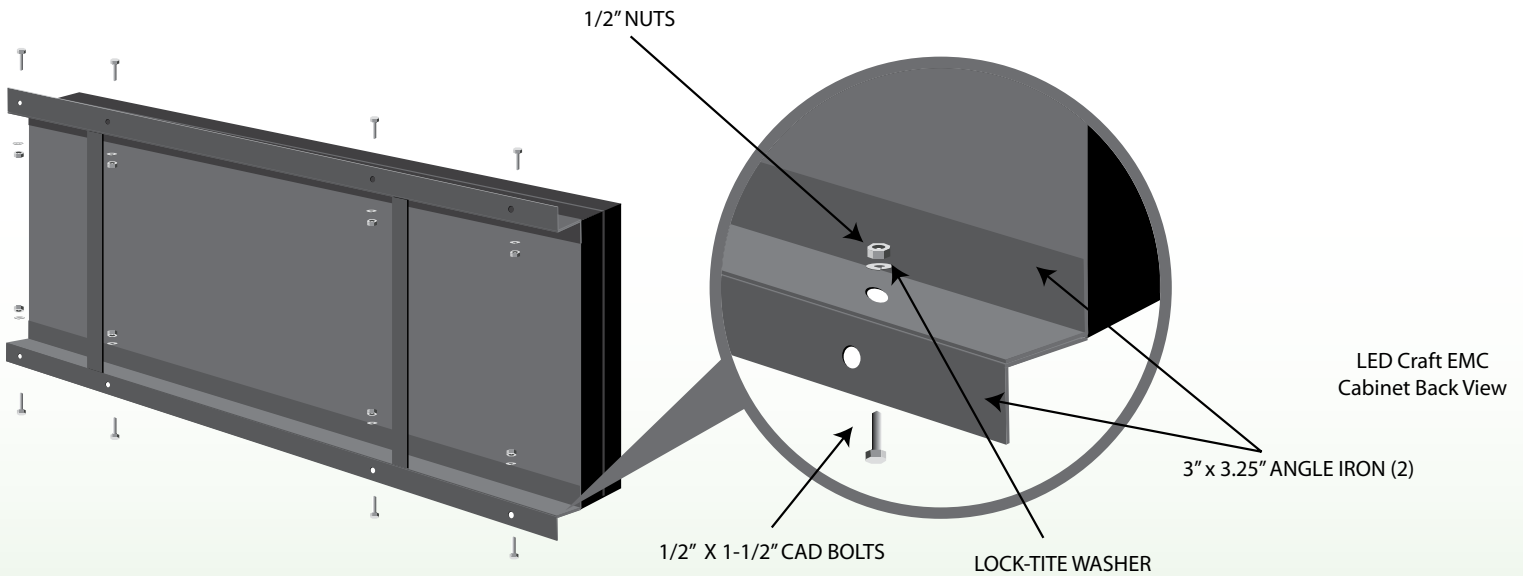


LED Craft EMC Cabinet Back View



3" ANGLE IRON

3" ANGLE IRON



Warning: Do not weld onto or drill any additional holes into the LED Craft Electronic Message Center. Do not house the Electronic Message Center inside any other enclosure. these actions, including but not limited to, VOID all warranties. It is very important that you check with your local building and planning department for codes and laws regarding the installation of signage.